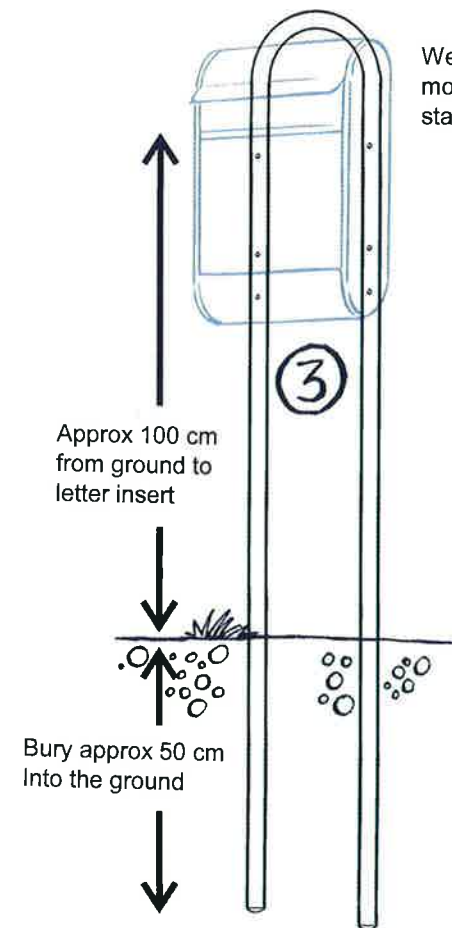
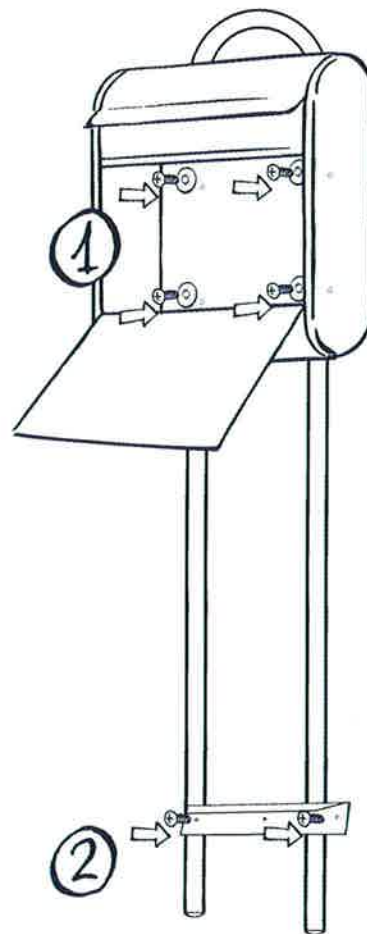
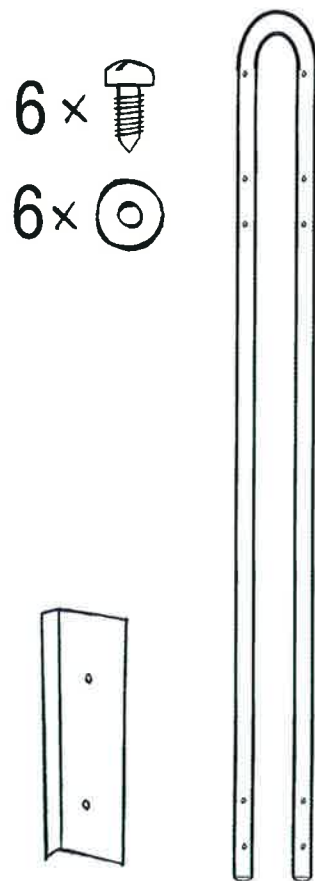


Stand 1007

Fits almost all mailboxes



We recommend that you
mount the mailbox on the
stand before burying/casting it



Template for drilling new mounting holes in the mailbox. Hole: Ø6 mm

